

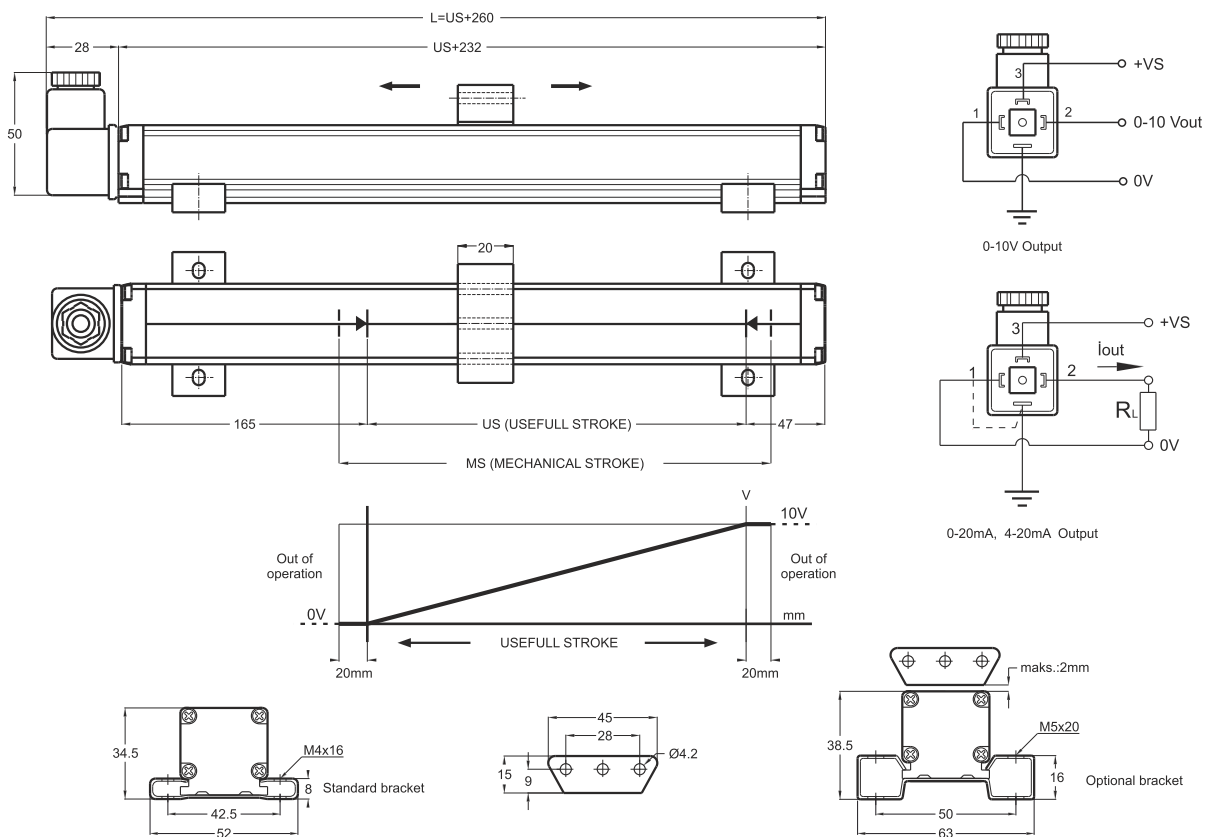
## Magnetostrictive Position Sensor

- Measuring range 100 - 900 mm
- 16 bit resolution
- Output 0-10V, 0-20mA, 4-20mA
- 24 VDC power supply



### Technical specifications

Measurement stroke	100 to 900 mm
Resolution	16 bit ( 200µm )
Repeatability	< 0.05 mm
Output	4-20mA, 0-20mA, 0-10V,
Power supply	24 VDC ±10%
Permissible applied voltage	30 VDC max.
Displacement speed	< 10 m/s
Sampling rate	1 Khz
Max. consumption	50mA
Max. output noise	< 5mVpp
Max. output value	10.5 Volt
Reverse polarity protection	Yes



MSS (mm)	100	150	200	250	300	350	400	450	500	550	600	650	700	750	800	850	900
US (Usefull Stroke)	120	170	220	270	320	370	420	470	520	570	620	670	720	770	820	870	920
MS (Mechanical Stroke)	160	210	260	310	360	410	460	510	560	610	660	710	760	810	860	910	960
L (Total Length)	360	410	460	510	560	610	660	710	760	810	860	910	960	1010	1060	1110	1160

Model	Measurement stroke	Resolution	Output	Connector / Cable
(example) MSS	300	A	V10	C1
MSS	100 ... 900mm	A : 16 bit	V10 : 0-10V I04 : 4-20mA I20 : 0-20mA	C1 : 4 pin connector