

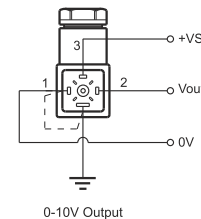
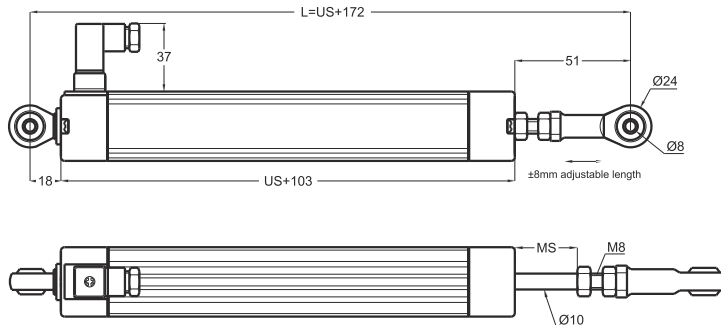
Linear Potentiometer Internal Voltage / Current Conditioner Circuit

- Internal electronic circuit
- Measuring range 50 - 800 mm
- Output 4-20mA, 0-20mA or 0-10V
- Very low temperature drift
- Very stable output signal
- Excellent repeatability

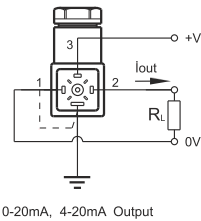
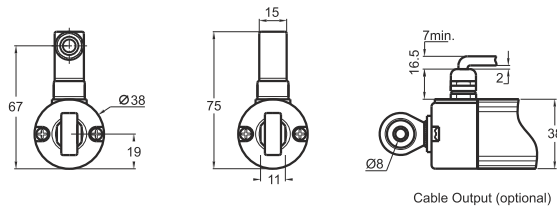


Technical specifications

| | |
|-----------------------------|--|
| Measurement stroke | 50 to 800 mm |
| Linearity | ± %0,05 (>200mm), ±%0,1 (130-200mm), ±%0,2 (75 - 130mm), ±%0,5 (<75mm) |
| Repeatability | < 0.01 mm |
| Resolution | Infinite |
| Output | 4-20mA, 0-20mA or 0-10V |
| Permissible applied voltage | 15 - 30 VDC |
| Electrical connections | 4 pin connector, Cable (optional) |
| Displacement speed | < 5 m/s |
| Mechanical life | 100 million cycles |
| Case dimensions | Ø38 mm |
| Case material | Anodized aluminium |
| Rod diameter | Ø10 mm |
| Rod material | Stainless steel |
| Mechanical fixing | Ball joints on the both side |
| IP degree | IP 65 |
| Operating temperature | -20°C ... +80°C |
| Storage temperature | -30°C ... +90°C |



Cable Colors
 [1] Blue : (-)
 [2] Yellow : Vout / Iout
 [3] Brown : (+)
 [4] Black : GND



| | | | | | | | | | | | | | | | | | | | | | | |
|------------------------|-----|-----|-----|-----|-----|-----|-----|-----|-----|-----|-----|-----|-----|-----|-----|-----|-----|-----|-----|-----|-----|-----|
| ELPC (mm) | 50 | 75 | 100 | 125 | 130 | 150 | 175 | 200 | 225 | 250 | 275 | 300 | 325 | 350 | 375 | 400 | 450 | 500 | 550 | 600 | 700 | 800 |
| US (Usefull Stroke) | 50 | 75 | 100 | 125 | 130 | 150 | 175 | 200 | 225 | 250 | 275 | 300 | 325 | 350 | 375 | 400 | 450 | 500 | 550 | 600 | 700 | 800 |
| MS (Mechanical Stroke) | 55 | 80 | 105 | 130 | 135 | 155 | 180 | 205 | 230 | 255 | 280 | 305 | 330 | 355 | 380 | 405 | 455 | 505 | 555 | 605 | 705 | 805 |
| L (Total Length) | 222 | 247 | 272 | 297 | 302 | 322 | 347 | 372 | 397 | 422 | 447 | 472 | 497 | 522 | 547 | 572 | 622 | 672 | 722 | 772 | 872 | 972 |

| Model | Measurement stroke (mm) | Linearity (%) | Output | Connector / Cable |
|----------------|-------------------------|------------------------|---|----------------------|
| (example) ELPC | 500 | D | V10 | C2 |
| ELPC | 50 ... 800mm | D : ± %0,05 (standard) | V10 : 0-10V I 04 : 4-20mA I 20 : 0-20mA | C2 : 4 pin connector |