

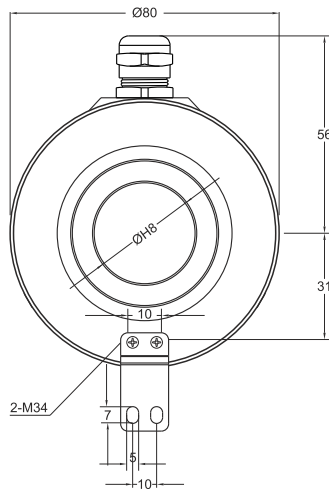
Optic Rotary Incremental Encoder

- 80 mm case diameter
- 1024 ppr.
- Hollow shaft diameter 18 - 20 - 22 - 24 - 25 - 28 - 30mm
- 3500 rpm max.
- Lift and elevator applications

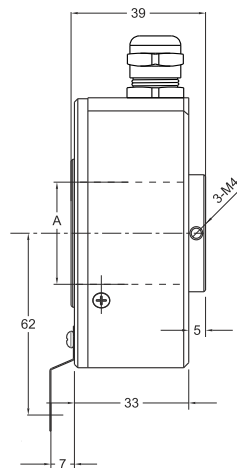


Technical Specifications

| | |
|---------------------------------------|--|
| Resolution | 1024 ppr. |
| Output Channels | A,B,Z or A,Ā, B,Ā, Z,Z̄ |
| Output Type | Push-Pull, TTL Linedriver, HTL Linedriver |
| Supply Voltage | 5V DC or 8-24V DC or 5-24V DC |
| Power Consumption (without load) | < 40 mA (24 VDC) |
| Cable | 2.5m (Standard) 5 Wire + Shield for Pushpull 2.5m (Standard) 8 Wire + Shield for Linedriver |
| Max. Permissible Shaft Loading Radial | 180 N |
| Axial | 80 N |
| Max. Speed | 3.500 rpm |
| Shaft Diameter | Ø18 - 20 - 22 - 24 - 25 - 28 - 30 mm |
| Shaft Material | Aluminium |
| Case Diameter | Ø80 mm |
| Case Material | Aluminium and Painted Steel |
| IP Degree | IP 50 |
| Operating Temperature | -20°C ... +80°C |
| Storage Temperature | -30°C ... +90°C |



H Type (Radial)



| Shaft Diameter (A) |
|--------------------|
| 18 |
| 20 |
| 22 |
| 24 |
| 25 |
| 28 |
| 30 |

Linedriver Cable Output

- Ch A : Yellow
- Ch A inv. : Blue
- Ch B : Green
- Ch B inv. : Red
- Ch Z : Gray
- Ch Z inv. : Pink
- +V : Brown
- 0V : White
- GND : Shield

Push-Pull Cable Output

- Ch A : Yellow
- Ch B : Green
- +V : Brown
- 0V : White
- GND : Shield

| Model | Case Diameter | Case Type | Shaft Diameter | Output Type | Resolution | Output Channels | Supply Voltage | Connector / Cable | Cable Output |
|---------------|---------------|------------|--|--|------------|-------------------------|--|---|--------------|
| (example) PRI | 80 | H | 25 | LTP | 1024 | Z | V2 | 2M5 | R |
| PRI | 80 | H : Hollow | 18 : 18mm 20 : 20mm 22 : 22mm 24 : 24mm 25 : 25mm 28 : 28mm | LTP : Push-Pull LD : TTL Linedriver HLD : HTL Linedriver | 1024 ppr. | Z : A, B, Z B : A, B | V1 : 5V DC V2 : 8-24V DC V3 : 5-24V DC | 2M5 : 2.5 meter cable 5M : 5 meter cable 8M : 8 meter cable 10M : 10 meter cable C12 : 12 pin connector | R : Radial |